

# 8 SEARCH SYSTEMS

- Complete Solution for Professional Treasure Hunters
- Unearth All Buried Deep Treasures Visually
- Completely New Powerful Detection Probes
- New Technologies : I.M.T.U , V.S.T , M.G.S
- Multilingual Easy to Use Software Program
- Bundled Android Tablet & 3D Analysis App

## GOLD STAR 3D SCANNER



- Power button
- Return to previous menu
- Go to the main menu
- Select and enter to selected mode
- Arows to control settings

### VISUAL EXPLORATION

Of All Deep Buried Treasures  
All In One Device To Meet The Needs Of  
All Treasure Hunters.



SHOP DETECTORS  
TEL : +1 206-401-9788  
WEB : <https://shopdetectors.com/>  
EMAIL : [contact@shopdetectors.com](mailto:contact@shopdetectors.com)



Pin Pointer System [PIN POINTER]

3D Ground Scan System [GROUND SCAN]

Live Stream System [LIVE STREAM]

Bionic System [BIONIC]

Ionic System [IONIC]

Control Long-Range Locator [CTRL LRL]

Automatic Long-Range Locator [AUTO LRL]

Manual Long-Range Locator [MANUAL LRL]

This system uses the V.S.T probe to accurately locate the target, and it can discriminate between the presence of a metal target or an underground cavity such as a tomb or a tunnel through variable sound tones or through a graph displayed on the screen, when the signal strength increases, the graph lines will appear larger on the screen.

It is most accurate and powerful search system, a brand-new technology system designed with advanced technology from Mega Detection. Ground Scan system helps the user to scan the ground via the Multi Ground Scanner (M.G.S) and create a 2D visualization on the screen of the device or a 3D drawing via Multi Visual Analyzer application for Mega Detection devices on any supported Android tablet device. The M.G.S is equipped with four scanning sensors, which allow reading a single pulse accurately and very high efficiency, and is equipped with a very large number of ground induction spectrum, and it is the technology responsible for determining the shape and depth of the target, and therefore the device is considered one of the most accurate devices in determining target shape and depth accurately.

Live Stream System is a system developed to detect ferrous and non-ferrous (precious) metals, as well as spaces such as caves and tunnels, the scanning is done by the Vertical High Signal Transceiver (V.S.T) probe in real time, i.e. in the form of a direct transmission with an optical and visual representation of the signal according to a specific flow that reflects the nature and type of the metal on device screen or via the tablet via Multi Visual Analyzer application, for Mega Detection devices. This system can make searching and finding burials, archaeological treasures and cavities such as tunnels and underground caves easy for the user with greater speed and greater accuracy and with reliable results and tools to analyze the results and know the location and depth of targets easily, the speed of the signal flow can be adjusted during the search process and thus the speed can be adjusted according to user walking speed and movement.

This search system is similar to the Ionic search system in how it works and uses the Intelligent Multi Transceiver Unit (I.M.T.U) to perform the scan. The difference here is that ionic signals are captured from a specific metallic object. For example, from gold, then the search is directed towards capturing ionic signals similar to metal objects buried underground within the surrounding area.

Ionic system has been developed according to a completely new technology, which is the first of its kind in metal detectors, and is a major development from the traditional system found in Mega Detection and competing devices as well, as the new technology allows accurate detection of ionic fields resulting from metal targets buried underground, thanks to the Intelligent Multi Transceiver Unit (I.M.T.U) that ensures accurate reception and processing of signals, with the ability to control some signal settings on the screen to obtain more accurate results.

The frequency control system is one of the new technologies and important features that have been incorporated into the Gold Star 3D Scanner, which enables the user to choose the exact value of the search frequency in order to search for any type of targets that the prospector tries to reach and find, thus ensuring more accurate results. When searching using this system, the user can also set various other values and settings related to the search, which are search frequency, soil type and front distance.

This search system uses a special probe called the Intelligent Multi Transceiver Unit or I.M.T.U, to search for the signals of potential targets within the long-range scanning field and the reflected signals are received through a pair of antennas. It is an advanced search system that covers large areas of the search area to be searched within and this system has the ability to automatically identify all types of buried metals within a scanning area of up to 3000 m and depths up to 100 m, and display the results in the form of values that indicate the percentage of detected targets in the surround of the prospector.

This search system uses the Intelligent Multi Transceiver Unit or I.M.T.U, which sends high-frequency wave signals in the direction of the search, and the reflected signals are received through a pair of antennas, in this system it is possible to specify the type or program of the target to be searched for, this option means that the device does not receive any signal except for the target signal that has been selected, with options to set the front distance up to 3000 m and the depth up to 50 m before starting the search, this system contains 11 separate search programs, which can be selected from the list of targets.



A massive improvement in metal detector's performance with breakthrough new technology from



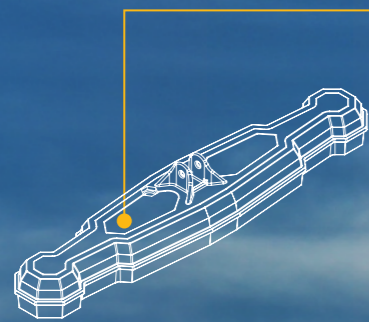
## TECHNOLOGIES - PACKAGE CONTENT

### Gold Star 3D Scanner : from Mega Detection

- Offers The Gold Prospectors And Professional Treasure Hunters

- The Best Integrated And Comprehensive Solution In Terms Of The Multiplicity Of Available Search Technologies Including **8 Search Systems**, As Well As Vast Practical Applications And Uses In The Field Of Metal Detection.

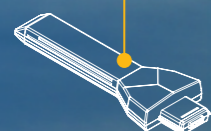
- Mega Detection, Through Gold Star 3d Scanner, Brings A Practical And Professional Device That Is Easy To Use For Beginners And Professionals Through Modern Design That Provides The Prospector With A Comfortable Work Experience.



#### Multi Ground Scanner (M.G.S)

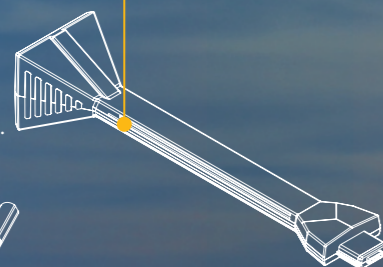
Gold Star 3D Scanner as it is clear from its name is primary a ground scanner and it is first device from Mega Detection to include new innovative ground scanning technology. The 3D ground scan process conducted by using a new patented probe called Multi Ground Scanner or in short M.G.S.60.

Multi Ground Scanner design with its large surface area enable coverage of larger spot of ground in every scan point, and that mean more accurate results and reduction of time and effort for prospector.



#### Intelligent Multi Transceiver Unit (I.M.T.U)

Intelligent Multi Transceiver Unit or IMTU for short, is a new powerful unit installed in front face of system box via a special connector, IMTU used to send high-frequency electro-magnetic signals (waves) in search direction that intersect with magnetic fields resulted from buried metal objects, the reflected signals received back by antennas.

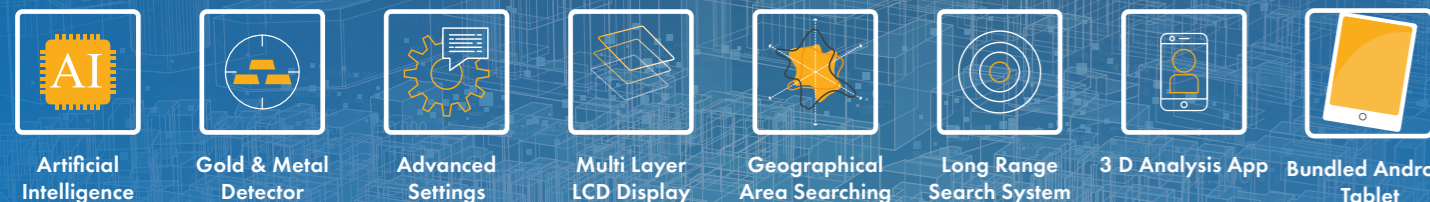
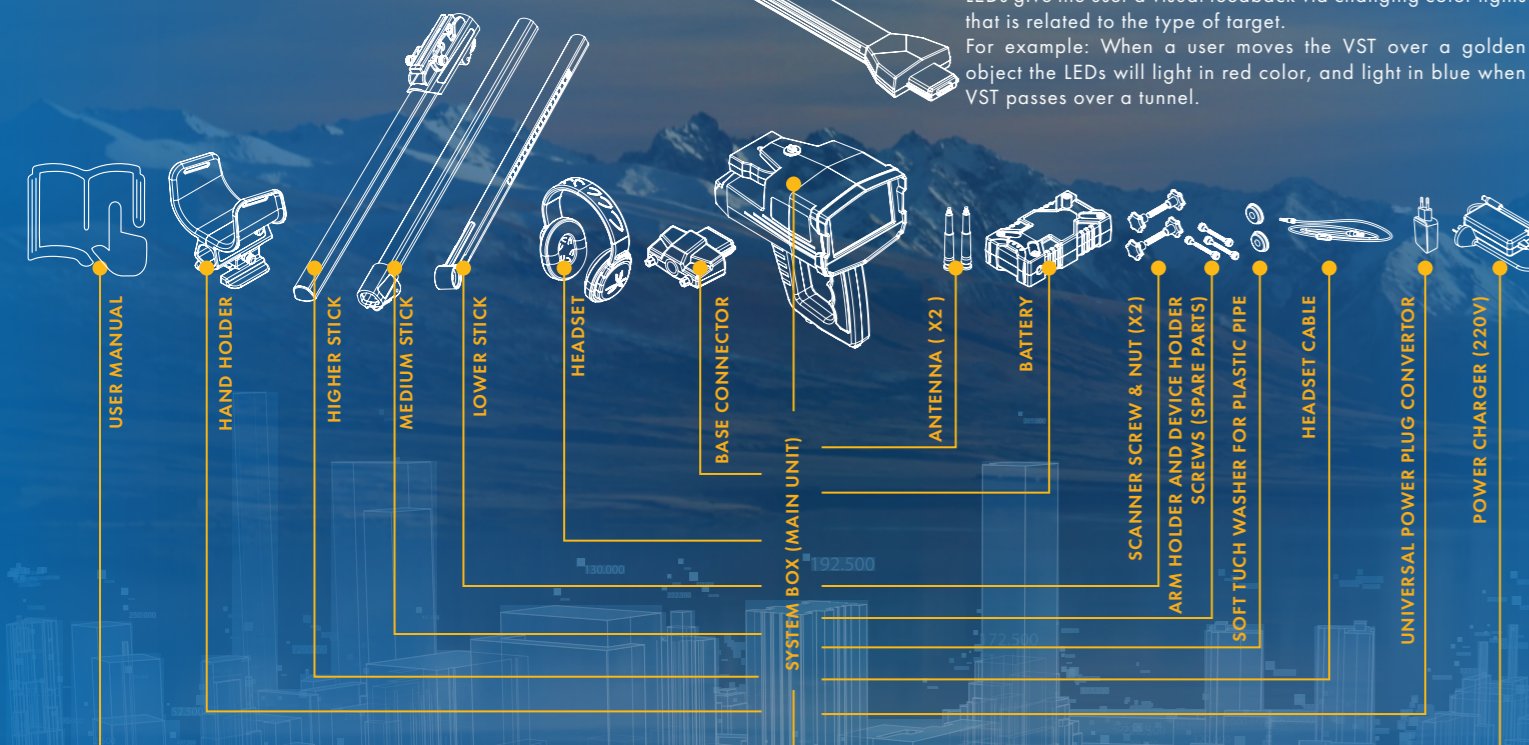


#### Vertical High Signal Transceiver (V.S.T)

Vertical High Signal Transceiver probe is a unique powerful probe used to receive magnetic fields signals issued by buried metal targets such as golden chest or statue.

VST has at its end a quadruple cone, on two sides of this cone there are multiple bars of light emitting diodes (LED), these LEDs give the user a visual feedback via changing color lights that is related to the type of target.

For example: When a user moves the VST over a golden object the LEDs will light in red color, and light in blue when VST passes over a tunnel.



## VISUAL EXPLORATION OF ALL DEEP BURIED TREASURES

Detection Tools			
M.G.S.60	Dimensions 60 x 13 x 9 cm	Weight 770 g	Sensor(S) 4 x 2000 μT em sensors
V.S.T	Dimensions 60 x 13.5 x 12 cm	Weight 660 g	Sensor(S) 2 x 2000 μT em sensors with acoustic light flux *** <i>Note: *** Its sensitivity is increased 5 times and it has a dynamic acoustic light flow.</i>
I.M.T.U	Dimensions 31 x 10 x 3 cm	Weight 370 g	Sensor(S) 1 x 2000 μT em sensors
Long-Range Antennas	144 / 430 MHz		

Detecting Technologies	
Ground Scan	Multi Ground Scanner with four scan sensors
Live Stream & Pin Pointer	Vertical High Signal Transceiver unit with color analyzing LED's
Ionic & Bionic	Intelligent Multi Transceiver Unit
Long Range Locators	Intelligent Multi Transceiver Unit plus 2 antennas, 3000 m distance and 100 m depth

Specifications		
Package	Package Dimensions	68 x 51 x 28 cm
	Package Weight	17 Kg
	Material	ABS Plastic
CPU	Processor Type	ARM 64 Bit
	Processor Frequency	1.4 Ghz
Memory	Storage Memory	32 GB
	Memory Type	SD Card
Screen	Screen Type	High Resolution TFT LCD
	Screen Size	5 Inch
	Screen Resolution	1024 x 860 px
	Colors	16 million
Sound	Wi-Fi Connection	2.4 Ghz
	Output	Speaker - Headset
	Jack Type	3.5 mm
	Headset	Wired Headphones
Power	Internal Speaker	Yes
	Battery Type	Lithium-Ion
	Battery Capacity	21000 mAh
	Fast Charging	No
Languages	Removable Battery	Yes
	Languages	
temperatures	Operation temperature	0°C - 40°C
	Storage temperature	-20°C - 60°C
	Humidity	5% - 75%

#### Android Tablet Minimum Requirements (for Multi Visual Analyzer app)

Display	8 - 10 Inch / 1080 x 1800 pixels
Network	Wi-Fi
Processor	Octa-core (4x1.8 Ghz)
Memory	2 GB RAM
Storage	4 GB
Android Version	Android 9 or later

Buy The Warranty on the GOLDStar 3DScanner can be used to verify that your detector is genuine. Only GOLDStar 3DScanner detectors deliver the real result!

Verify your GOLDStar 3DScanner detector online at [Megalocators.com](http://Megalocators.com)

Product information correct at time of printing. Megadetection reserves the right to introduce changes at any time.

The Most Powerful Gold And Treasures Technologies



**MEGA**  
DETECTION  
METAL DETECTION TECHNOLOGY

E-Mail : [info@Megalocators.com](mailto:info@Megalocators.com)  
[sales@Megalocators.com](mailto:sales@Megalocators.com)

Web : [www.Megalocators.com](http://www.Megalocators.com)

• You can buy this product from our distributors in all around the world

• You can visit our website to find the nearest distributor :  
[www.Megalocators.com/where-to-buy](http://www.Megalocators.com/where-to-buy)

• For product validation you can check the product serial number by the link below :  
[www.Megalocators.com/product-validation](http://www.Megalocators.com/product-validation)



SHOP DETECTORS

TEL : +1 206-401-9788

WEB : <https://shopdetectors.com>

EMAIL : [contact@shopdetectors.com](mailto:contact@shopdetectors.com)



**GMI** MEGA  
Geophysical Measuring Instruments

**GMI** MEGA  
Geophysical Measuring Instruments

**MEGA**  
DETECTION  
METAL DETECTION TECHNOLOGY

[www.Megalocators.com](http://www.Megalocators.com)

**GOLD STAR**  
**3D SCANNER**

Complete Set of Detection Tools for Professional Treasure Hunters



DETECTOR OF ALL  
**MINERALS**  
WITH  
MORE DEPTH  
AND  
WIDE RANGE

