



MEGA
DETECTION
METAL DETECTION TECHNOLOGY

www.Megalocators.com

5 SEARCH SYSTEMS

- Multi-System Device : Long-Range Detector With Pulse Induction Metal Detector
- For : Metal Detection – Gold Prospecting & Treasure Hunting
- Versatile Detection Tools: I.M.T.U & PS36 , PS28, P50 Coils
- Improved Pulse Induction Technology To Detect All Kinds Of Metals
- Smart Detect System For Gold Prospecting & Coin Shooting
- Modern Multilingual Software Programs For Easy Settings Adjustments

GMI MEGA
Geophysical Measuring Instruments

- Visual exploration of all Deep buried treasures
- All in one device to meet the needs of all treasure hunters

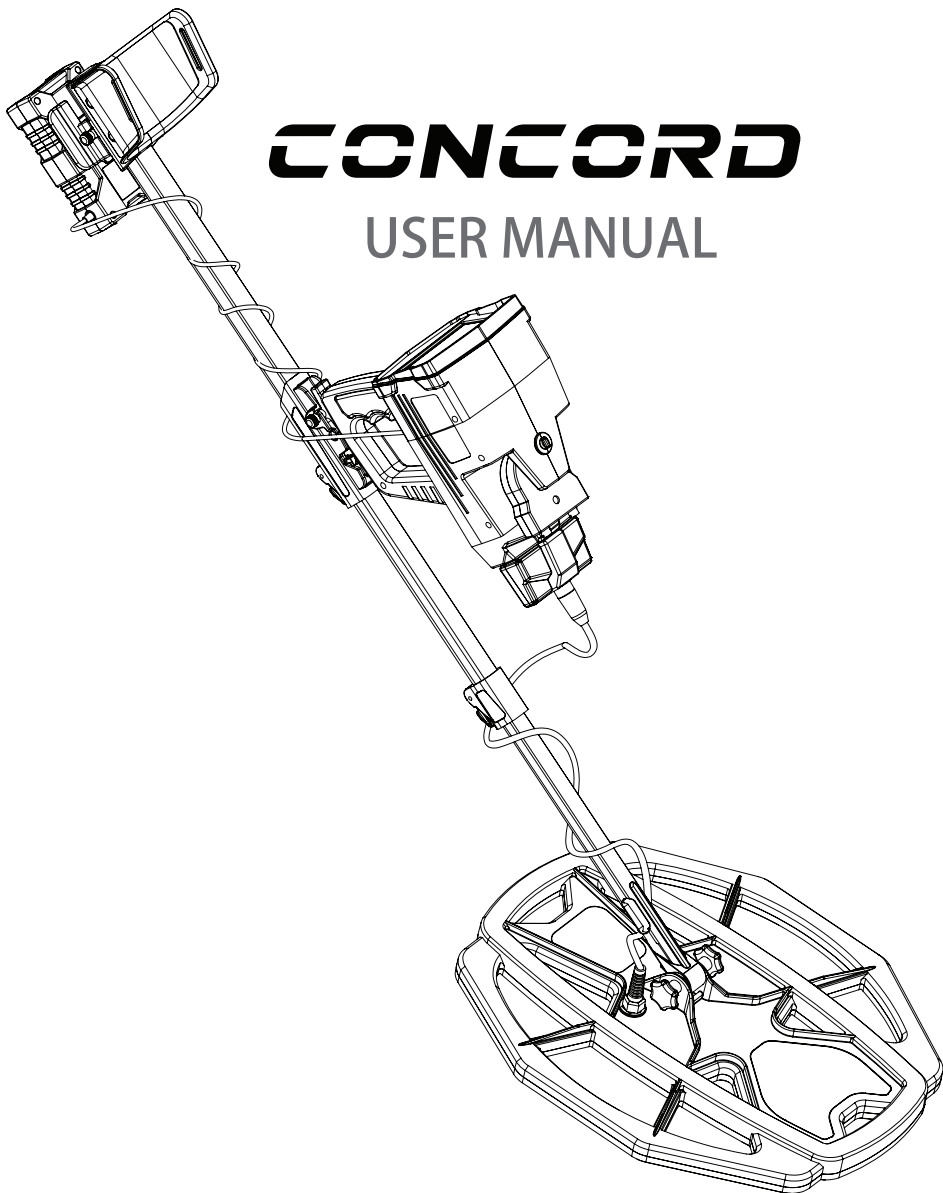
SHOP DETECTORS
TEL : +1 206-401-9788
WEB : <https://shopdetectors.com/>
EMAIL : contact@shopdetectors.com

Complete Set of Detection Tools for Professional Treasure Hunters

CONCORD

CONCORD

USER MANUAL



List of contents

Contents	2
Warnings	3
Property rights	4
Introduction	5
Package Contents	6
Overview	8
Assembly (I.M.T.U)	10
Assembly (Smart Detect - PS 28).	11
Assembly (Smart Detect - PS 36).	12
Assembly (Pulse Induction - PS 50).	13
Assembly (Stack Holder).	14
Panel Keys	16
Settings	17
Auto LRL System	23
CTRL LRL System	26
Manual LRL System	30
Pulse Induction System	34
Smart Detect System	36
Customer Services	39
Technical Specification	40



Do not assemble and operate the device before reading the user manual.



The device may only be dismantled or repaired by MEGA DETECTION GmbH or its authorized service centers. Unauthorized disassociation / infiltration of the internal components of the main monitor or other units for any reason cancels the warranty.



Do not store the device and its components under extremely low or high temperatures for long periods (the preferred storage temperature is -20°C to 60°C / -4°F to 140°F).



Do not use the device indoors. The device may constantly give target signals indoors as there are many metals. Use the device outdoors, in open fields.



Do not submerge the device or its accessories in water. Do not expose the equipment to excessively moist environments.



Do not leave another detector or electromagnetic device close to the device (within a distance of less than 10 meters by 30 feet)
Do not hold any metallic objects while using the device.



Protect the main unit of the device from impacts during normal use. For transportation, place the detector carefully in the original carton and secure with shock-resistant packaging.



Keep the device out of your shoes while walking. The device may detect minerals on you or inside your shoes as targets.



No part of this guide may be reproduced, including the products and programs described in it. Any use of material, reproduction, storage or translation of this information without prior permission from MEGA DETECTION GmbH is subject to legal liability of its owner.

MEGA DETECTION invites all users to ensure that the acquisition and use of this type of equipment complies with the laws and regulations of the countries in use and is not responsible for the legal consequences if the laws state otherwise.

MEGA DETECTION does not bear in all cases or any of its directors, officials, employees, and authorized agents indirect, special, incidental, or consequential damages (including damages for interest loss, business loss, loss of use or data, business interruption and the like), even if the company was notified of the possibility of such damages arising from any defect or error in this manual or product.

The specifications and information contained in this guide are published for information use only and are subject to update periodically at any time without notice to the user.

The products and company names that appear in this guide may be registered trademarks and copyrights are reserved for the related companies and mentioning them here is used only for identification and for the benefit of the owner, without intentionally infringing on the property rights of these companies.

MEGA DETECTION is not responsible for misunderstanding this manual or misusing the device in violation of the instructions in this guide.



Copyright © Mega Detection (© 2021 All Rights Reserved)



With the engineering, research and development team at Mega Detection, a dream is now a reality with mega CONCORD detector.

A comprehensive metal detector with multiple detection technologies within one device that provides prospectors with all the necessary tools to detect buried treasures.

The integrated CONCORD contains 5 different systems to search for gold, metal and ancient archaeological burials with advanced technology and easy to use at the same time.

Auto Long Range Locator System

Manual Long Range Locator System

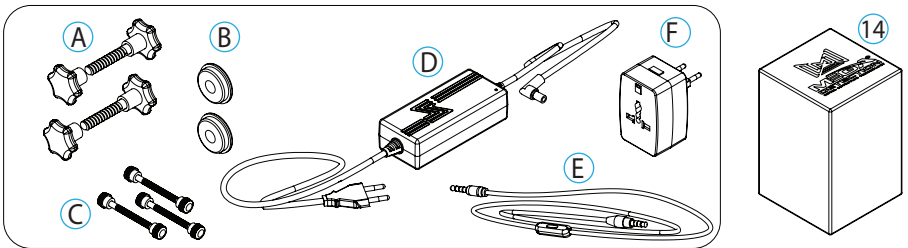
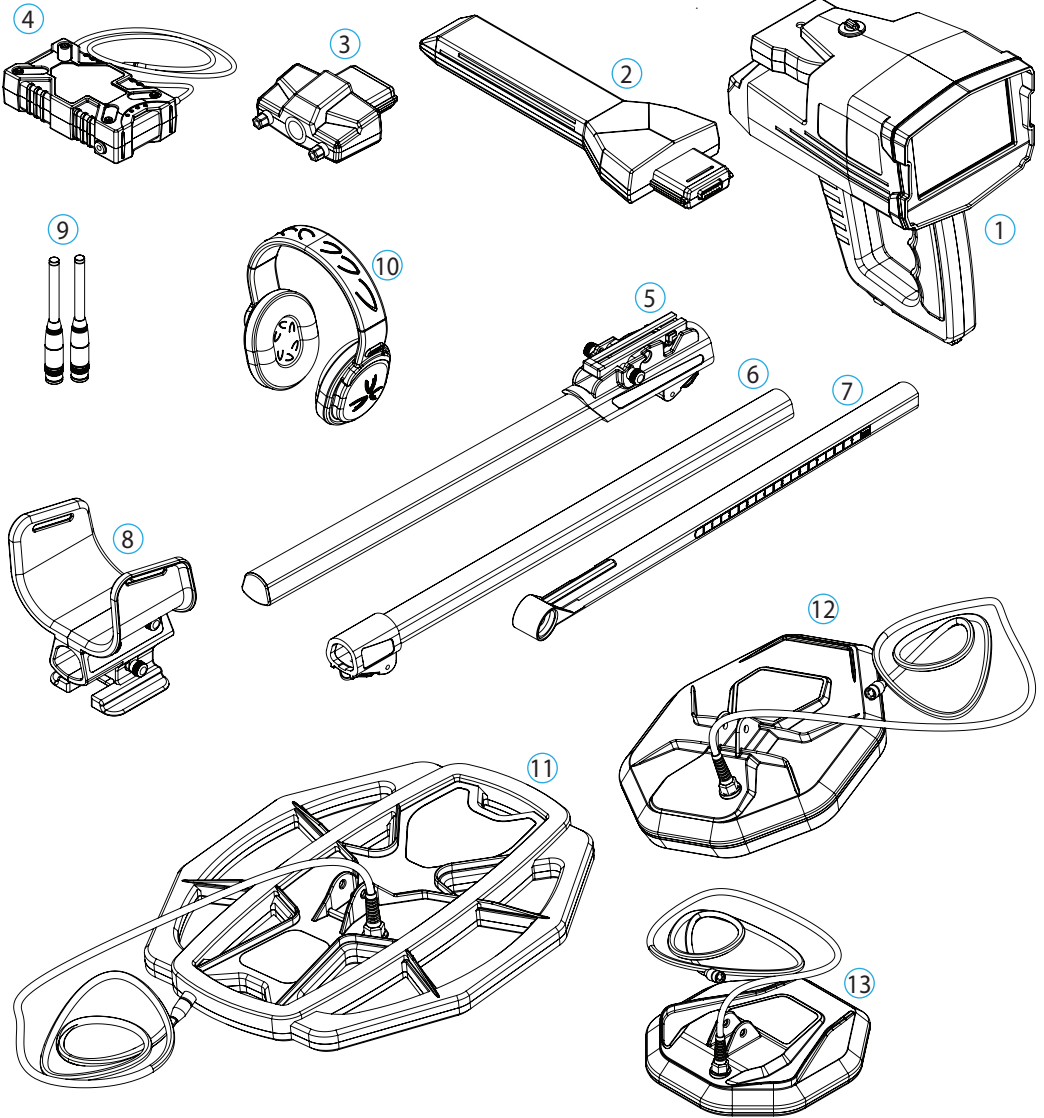
Control Long Range Locator System

Pulse Induction

Smart Detect

Thank you for choosing the CONCORD product from Mega Detection. For more information, you can visit our website.

PACKAGE CONTENT



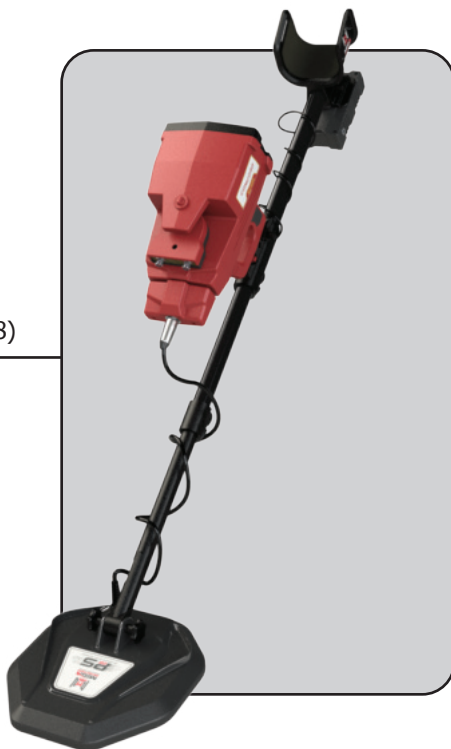
1	Main unit
2	IMTU Sensor
3	5 Pin Connector Base (For Coils)
4	Lithium-Ion Battery
5	Higher Stick (Shaft)
6	Medium Stick (Shaft)
7	Lower Stick (Shaft)
8	Armrest (Holder)
9	Long-Range Antennas (x2)
10	Headphones
11	PS.50 Detector Coil
12	PS.36 Detector Coil
13	PS.28 Detector Coil
14	Accessories Box including: <ul style="list-style-type: none">A. Coils Screw and Nut (x2)B. Washer for Plastic Stick (Shaft)C. Armrest (Holder) Screws (Spare Parts)D. 220V Battery ChargerE. Headphones CableF. Universal Power Adapter



AUTO LRL SYSTEM
MANUAL LRL SYSTEM
CTRL LRL SYSTEM



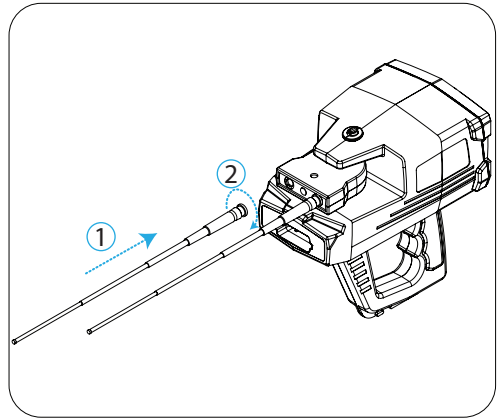
SMART DETECT (PS28)



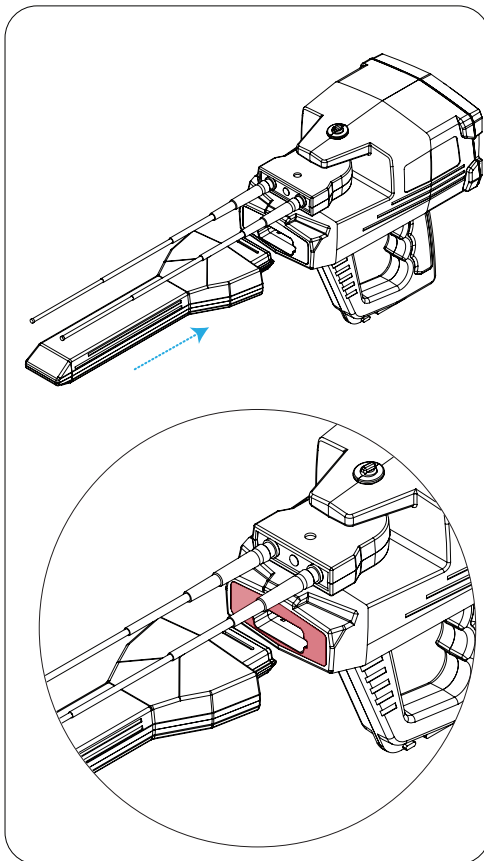
PULSE INDUCTION



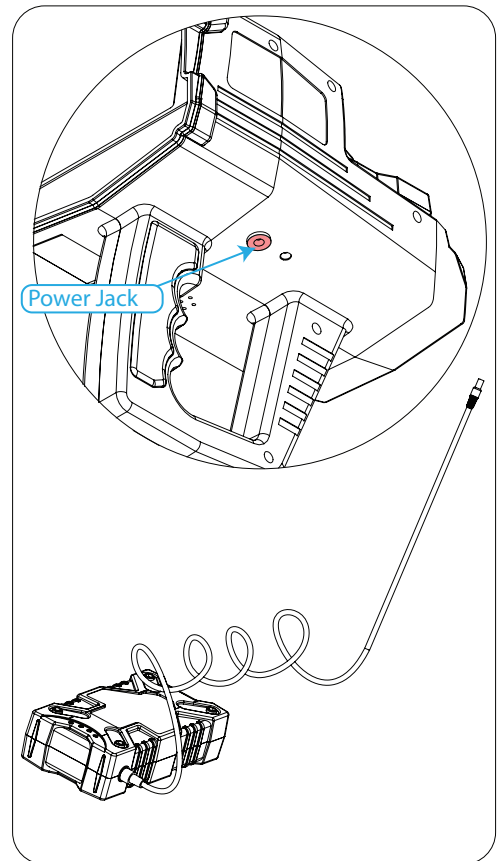
Auto LRL
Manual LRL
Ctrl LRL



1 Connect the antenna on the device as it shown at the picture

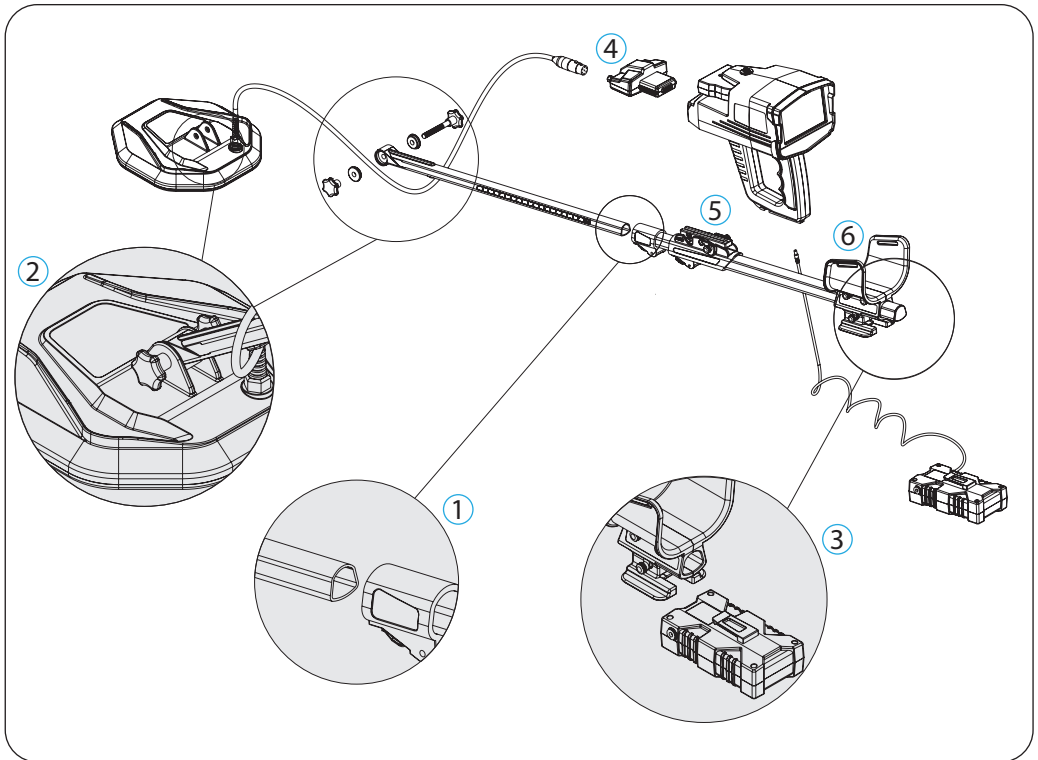


2 Connect the I.M.T.U Sensor on the device



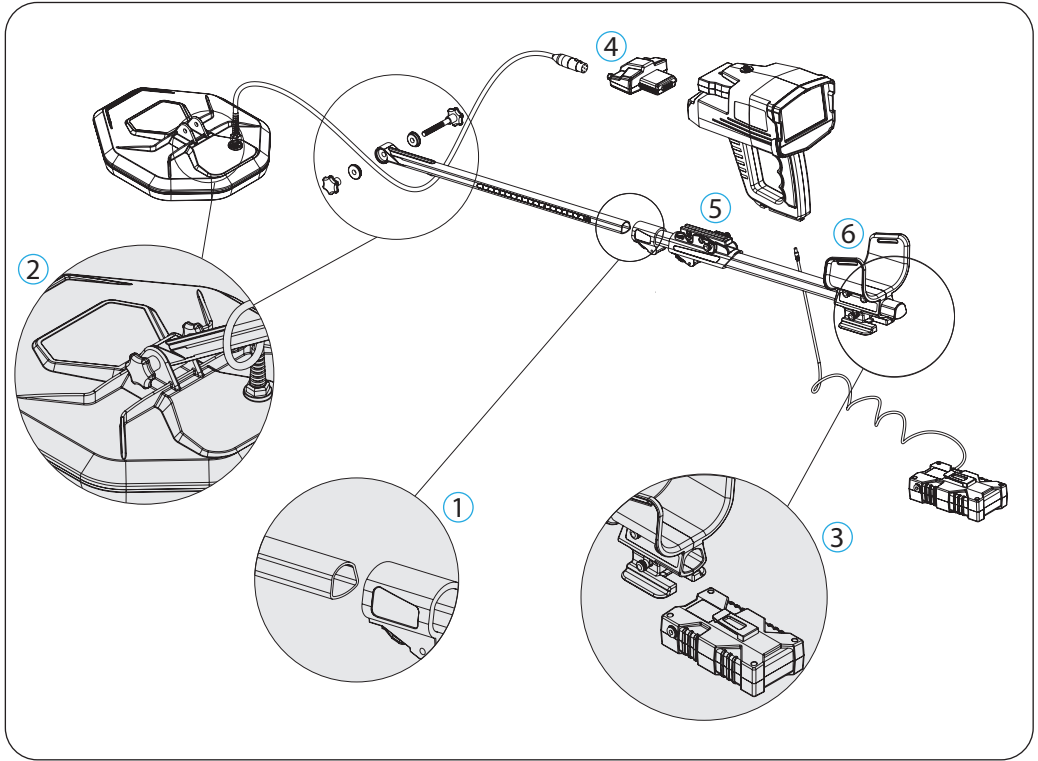
3 Use the power jack to connect the battery

Smart Detect - PS 28



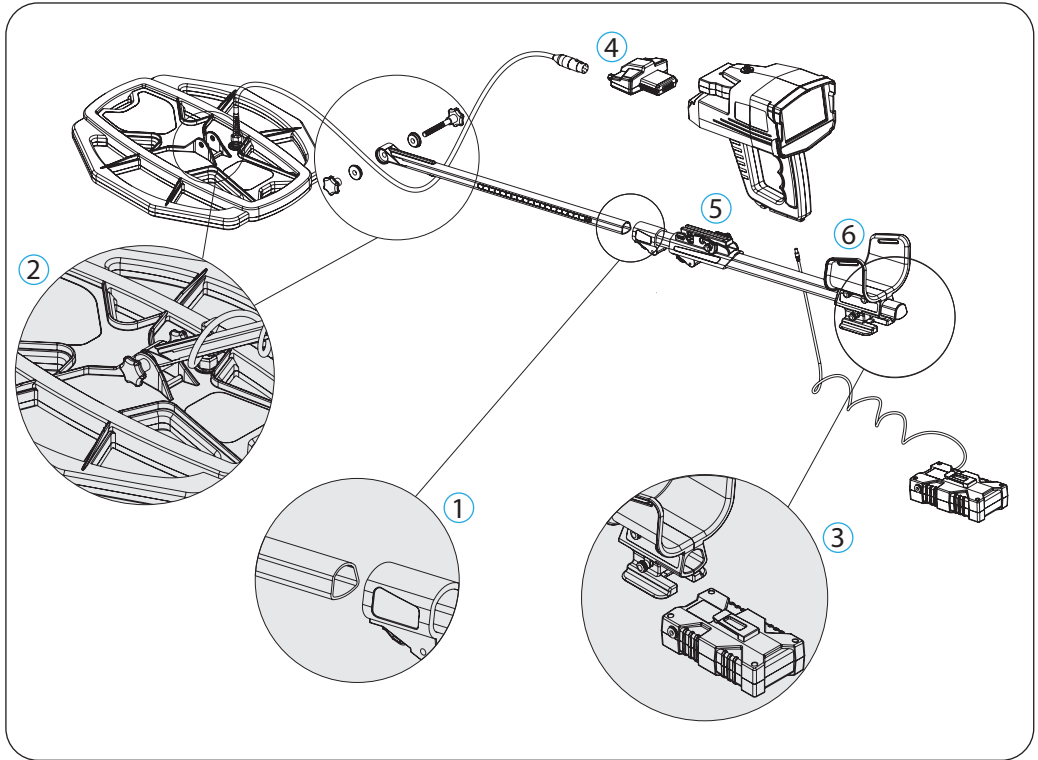
- 1 Attach the medium pipe inside the higher pipe.
- 2 Assemble the PS 28 Coil and the lower pipe using the specific screw and nut.
- 3 Attach the battery to the hand holder so that the battery clip is in its specific place
- 4 Connect the PS 28 Coil cable into the connector base
- 5 Put the device on the holder as it shown in next page
- 6 Connect the battery to the device

Smart Detect - PS 36



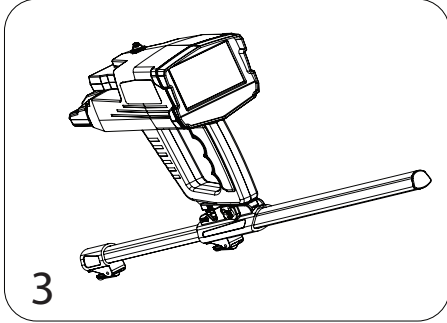
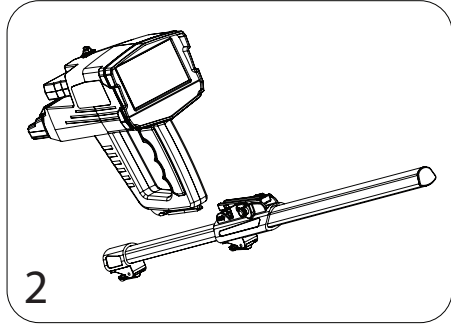
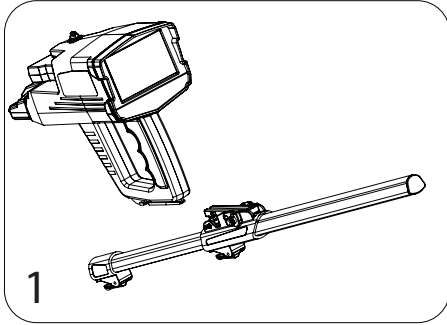
- 1 Attach the medium pipe inside the higher pipe.
- 2 Assemble the PS 36 Coil and the lower pipe using the specific screw and nut.
- 3 Attach the battery to the hand holder so that the battery clip is in its specific place
- 4 Connect the PS 36 Coil cable into the connector base
- 5 Put the device on the holder as it shown in next page
- 6 Connect the battery to the device

Pulse Induction - PS 50



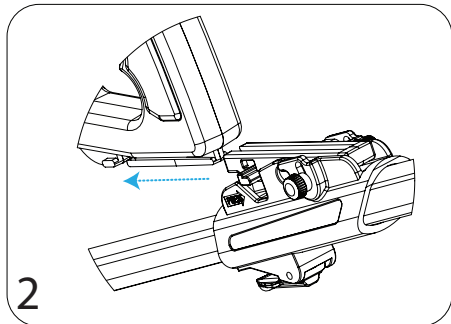
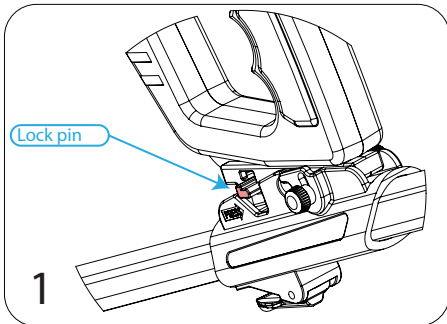
- 1 Attach the medium pipe inside the higher pipe.
- 2 Assemble the PS 50 Coil and the lower pipe using the specific screw and nut.
- 3 Attach the battery to the hand holder so that the battery clip is in its specific place
- 4 Connect the PS 50Coil cable into the connector base
- 5 Put the device on the holder as it shown in next page
- 6 Connect the battery to the device

Attach the main unit on the holder



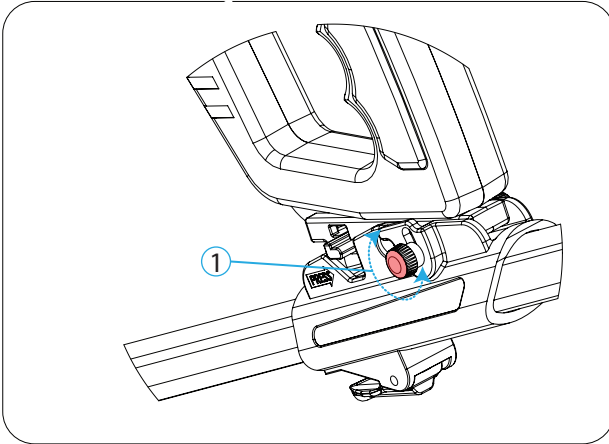
- 1 Prepare the main unit and the stack unit
- 2 Fit the main unit and the holder rail as Parallel position
- 3 Put the main unit into the rail until you hear a sound come from the lock pin

De attach the main unit from the holder

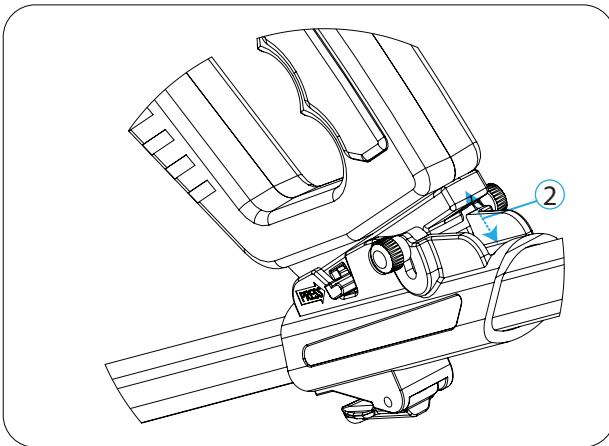


- 1 Press the Lock pin on the holder
- 2 Pull the main unit to front side

To fit the view degree of main unit on the holder, there is an option users can use. This option helps to fit device position on holder that users can see the display screen as well as possible.



1 Unscrew the screw on the holder counter clockwise



2 fit the main unit as the prepared degree and Close the screw again



1.  Power Key

2.  Back Key (Backward)


3.  OK Key

4.  Home Key




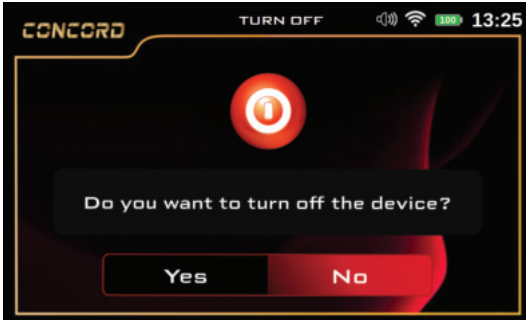
5. Control Settings Arrow Keys (Right - Left - Up - Down)

Power ON

To power on the main unit, connect the battery to the main unit then power on the battery by pressing one time on battery power button, then press on  on the main unit.

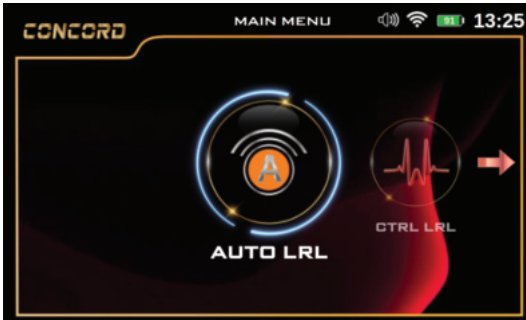
Power OFF

To turn off the main unit, just press the power key , when confirmation message appears, choose "Yes" to confirm, or "No" to cancel. after power off the device press on battery power button to power off the battery.



Adjust Settings

You can set the device setting by selecting Settings from the main menu



You can choose other options in the screen using   arrows

Go on setting icon and press 

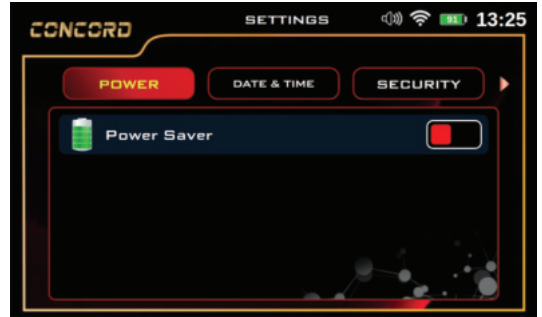


SETTINGS

POWER

Use this option to save power when using the device.


With this option, the battery life can be increased by at least 50% , it depends on the search system and the type of connected probe

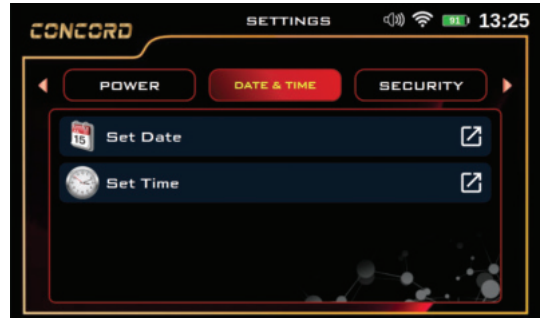





DATE & TIME

Date

1. Use the left/right   arrows

To select "date & time" item then press 




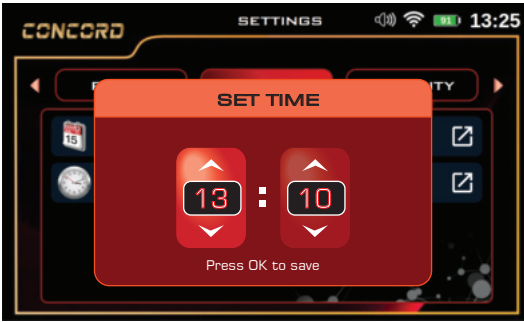
2. Use top/ down   arrows to select "Set Date" then press 






3. In this window use arrows to select the Correct date then after setting each one


Press  to save


4. After adjusting the setting press  back on device controls key

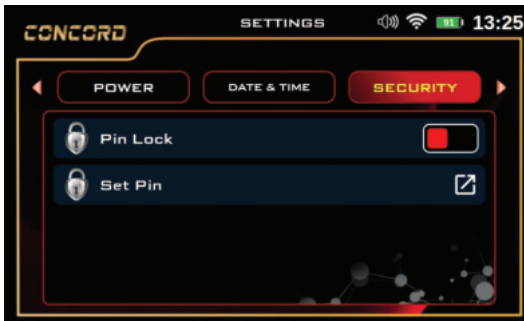


Time


1. While you are in date and time setting menu use top/ down   arrows to select "Set Time" then press 

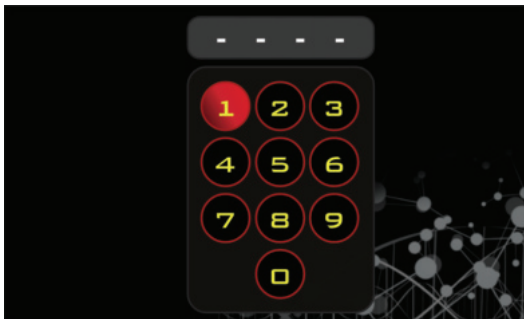
2. In this window use arrows to select the correct time then after setting each one press  to save

After adjusting the setting press  back on device controls key



SECURITY

To activate the device's security settings, you must click on the security lock  option within the security settings.



After activating the previous option, the security lock code can be set by the "Set Security Code" option.

When operating the device for the first time, the device will ask you to enter the security code (device password), which you get from the manufacturer or through the authorized distributor of the device in your country.

The security lock option can be locked in the device so that the device does not require the entry of the code after each operation

RESET

You can use this menu to reset the device Settings.

There is three type of resets

1. Reset settings:

By using this option all settings in The device will back to the default Settings, but the you will keep the Information saved in the memory

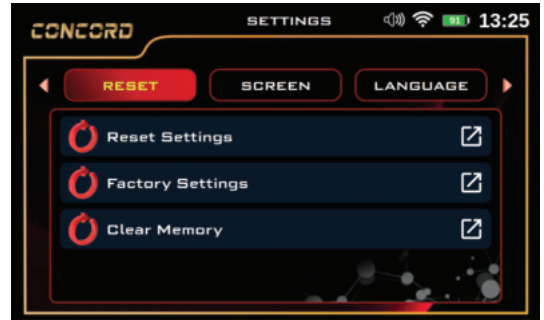
2. Factory Settings

With this option, all settings in the device will revert to the factory defaults and the memory data will be erased

2. Clear Memory

By using this option the memory Data will be erased

After selecting the reset option, a confirmation window will appear. By clicking "Yes" in this window, the reset will be done.



SCREEN

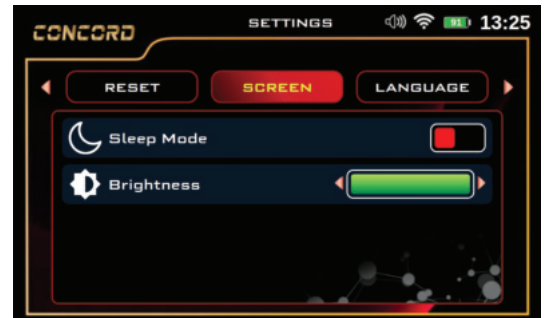
you can control screen settings using this menu.

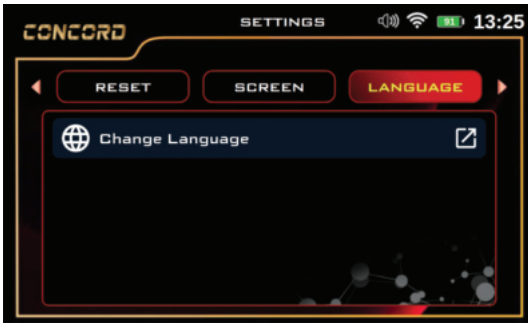
Sleep Mode:

By turning on this option, the device's screen will go to sleep in the absence of any activity.

Brightness

user can control screen brightness using this option.





LANGUAGE

The device software interface is available in 12 languages, namely:

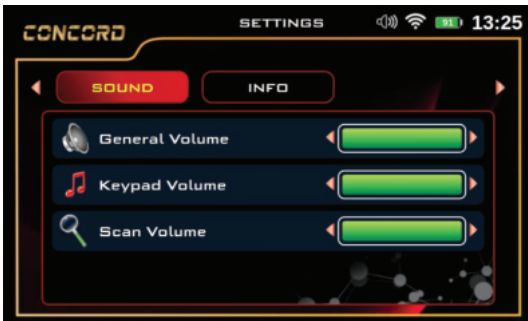
1. English
2. German
3. Spanish
4. French
5. Italian
6. Russian
7. Turkish
8. Chinese
9. Hebrew
10. Urdu
11. Arabic
12. Persian

To change the language, the user has to go to the language tab, then choose "Change Language" using the Up / Down arrow keys, then press OK, then choose the preferred language using the Left / Right arrow keys, then press OK



SOUND

User can control the device's sound status using this menu.



General Volume Level:

Use this option to control the sound of the whole device.

Keypad Volume:

Use this option to control the keypad sound volume

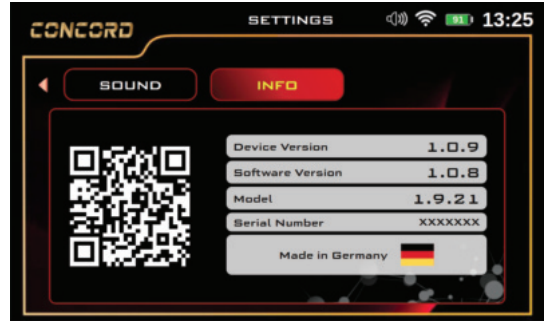
Scan Volume:

Use Up/Down arrows to select the sound setting you need to change and then press on OK then use Left/Right arrows to change the sound volume

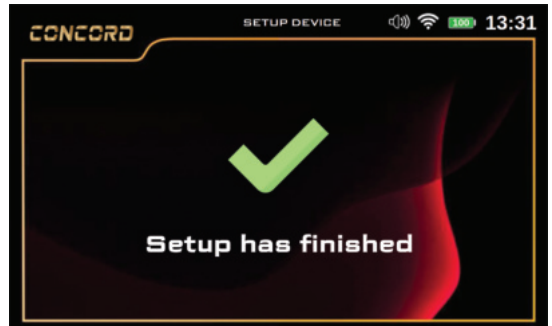
INFO

This screen includes all device information

1. Device Version
2. Software version
3. Device Model
4. Serial Number
5. Country of manufacturer



After completing all the setup processes, the following window will appear on the screen



Automatic Long-Range Locator System [AUTO LRL]

It is an advanced search system that covers a large scan distance within a very wide scan area within the specified land.

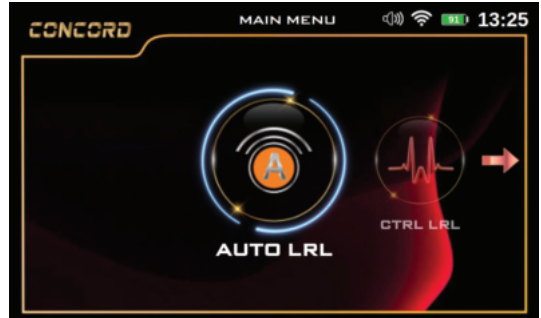
This system automatically searches for buried metal targets within the scan area according to the settings that are set in advance.

This will reduce the search area as much as possible, saving effort, time and cost for the prospector.

Select the system

To start using the automatic long range locator system, select this system from the main menu and then press OK key

After system selection, a screen will appear which includes couple of tabs to set the settings for this system, which are:



Notice

Immediately after entering any search system from the main menu, A video will appear which notify the device's assembly steps. In case of any mistake in the assembly or installing a wrong part that does not fit the selected system, a warning video will appear on the device's screen regarding the exact error



Distance

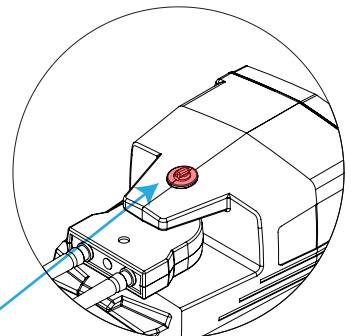
The device can search for targets for a distance of up to 3000 meters, and the user can change the distance value with the Up / Down arrow keys

Depth

It represents the maximum depth that the device will search for targets within the range from 0 to 100 meters and you can choose from predefined values using the arrow keys

Notice

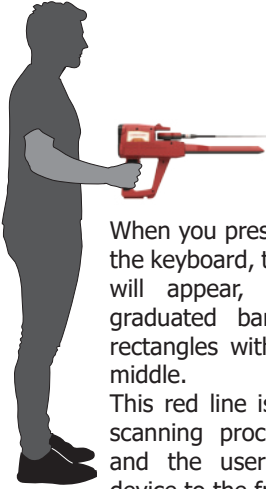
After assembling the device and before start to scan
Make sure that the antenna holder lock is locked
To fix the antenna holder with the device.



Antenna Holder Lock

How to Use

After the setup is completed, hold the device, as follows, and make sure that you are holding the device fixed to your body without moving, then stand in the search area and press the OK key on the keyboard to start the scanning process.



When you press the OK button on the keyboard, the following screen will appear, which includes a graduated bar graph made of rectangles with a red line in the middle.

This red line is the center of the scanning process, or degree 0, and the user then directs the device to the front side.

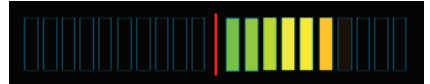


During the scan process, the user stands at a fixed point and moves the device only from the center to the right side slowly according to the indicator at a rate of 90 degrees, when reaching the far right, the user begins to return at the same speed from the far right to the center.

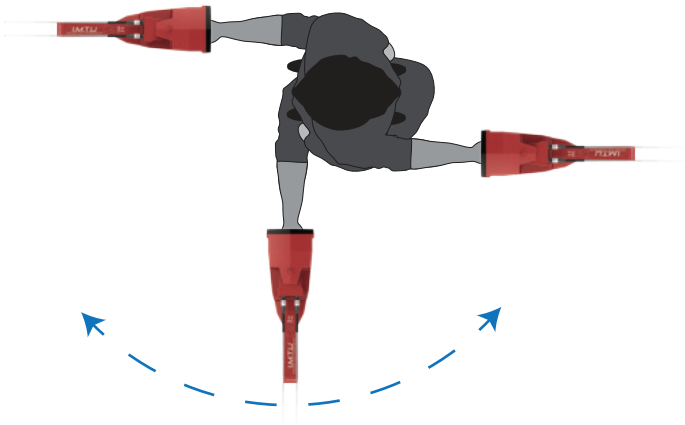
Immediately after the indicator and the user reaching to the center, the indicator will start to go to the left side and the user will also direct the device to the left side according to the indicator also at a rate of 90 degrees, when reaching the far left, the user begins to return at the same speed from the far left to the center.



Left Direction



Right Direction



In this system, the user covers 180 degrees from the perimeter around him without moving from his place, only moving the device according to the indicators on the screen.

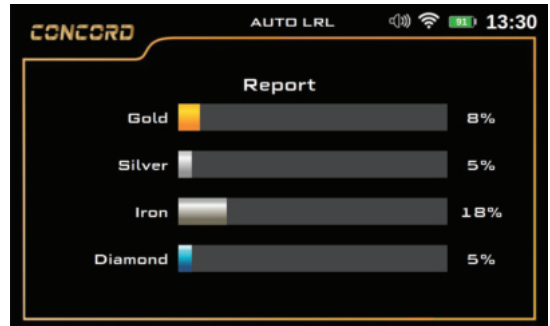
REPORT

After completing the search in the area, you can click on "Next" by pressing the OK button, to move to the results report.

Using this report will help determine whether or not this area contains any valuable target.

You can see four types of targets in this screen (Gold, Silver, Iron, and Diamond).

The percentage of each shows the probability ratio of the discovered target and through it the nature of the target can be known.



Control Long Range Locator System [CTRL LRL]

The control long range locator system is one of the new technologies and important features that have been integrated into the device, which enables the user to specify the exact value of the search frequency in MHz unit to search for a specific type of metal or target made of a specific mixture of metals, thus ensuring more accurate results when searching using this system, the user can set multiple values and options related to the search.



Select the system

To start using, select this system from the main menu and press the OK key
After selection, multiple screens will appear to set the settings for this system, namely:

Notice

Immediately after entering any search system from the main menu, A video will appear which notify the device's assembly steps. In case of any mistake in the assembly or installing a wrong part that does not fit the selected system, a warning video will appear on the device's screen regarding the exact error

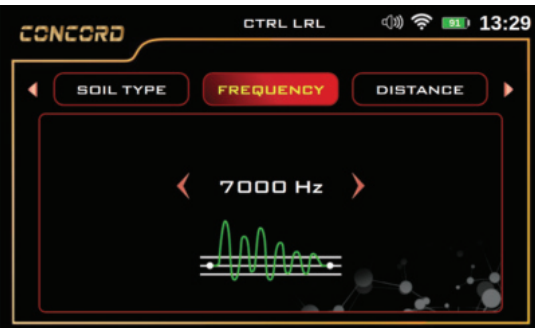


Soil Type

Using this option, the user can specify the type of soil in the area in which he wants to search.

The available soil types that have been added to this device are:

- Rock
- Neutral soil
- Mixed soil
- Metallic
- Clay
- Sandy
- Mineral
- Chalky
- Salty



Notice

user can change value by 1000 steps by pressing up/down keys, and 250 steps by pressing left/right keys

Frequency

The user can manually adjust the search frequency value according to a specific target type using this option.

Frequency values range from 250Hz to 18000Hz Use the arrow keys to change the value and press OK

Note: The user can change the frequency value by 1000Hz by pressing the Up / Down arrow keys, or 250Hz arrow keys by pressing the Left / Right arrow keys.

Note: Every 1000Hz equals to 1kHz. For example, if user chooses 5000Hz it means 5kHz

Distance

The user can specify the distance to search within during the search process.

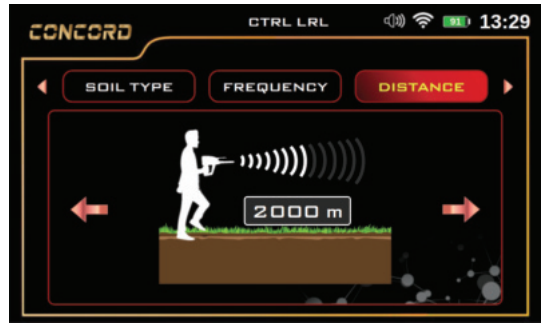
This means that the user can search within a radius of this distance, and this distance starts from 250 to 3000 meters

The distance value can be changed using the Left / Right arrow buttons and pressing OK

Note: The user can change the distance value by 250 for every press by pressing the Up / Down arrow keys, and by 50 meters by pressing the Left / Right arrow keys

Notice

user can change value by 250 steps by pressing up/down keys, and 50 steps by pressing left/right keys



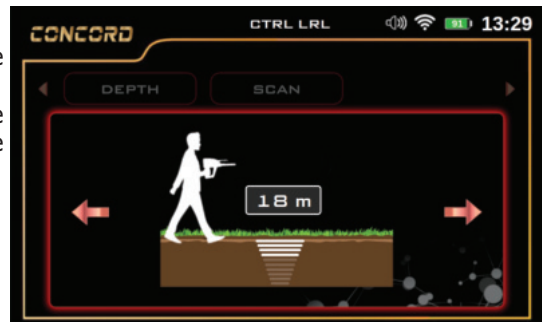
Depth

It is the value of the maximum depth that the device can search.

The depth value can be set by choosing a value from a set of predefined values within the range from 0 to 50 meters.

Notice

User can change the depth value by 10 meters by pressing the Up / Down arrow keys, and by one meter by pressing the Left / Right arrow keys



Scan

After completing the previous settings, select the scanning tab using the arrow keys (Right and Left), then press the OK key above the "Start Scan" button.

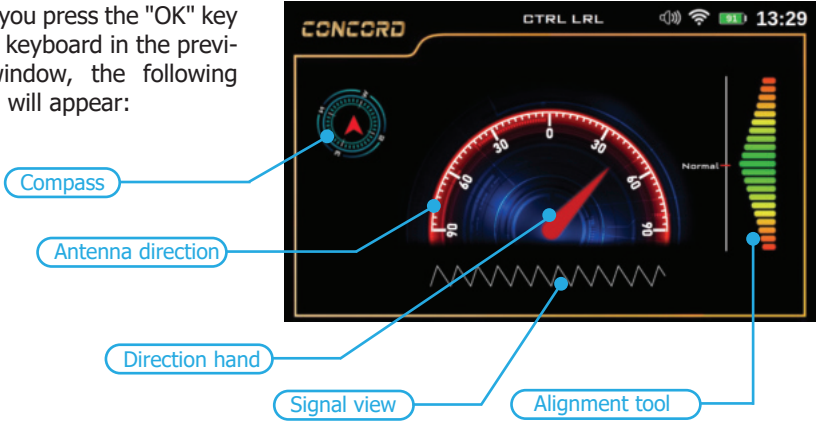




How to Use

After the setup is completed, hold the device, as follows, and make sure that you are holding the device fixed to your body without moving, then stand in the search area and press the OK button on the keyboard to start the scanning process.

When you press the "OK" key on the keyboard in the previous window, the following screen will appear:



Compass: indicates the geographical direction of the device (north, south, east or west ...)

Antennas Indicator: It is a semi-circular indicator, the zero in the middle expresses the values of the angle of inclination of the antennas according to the direction to the right or left within a range from 0 to 90 degrees to the right and 90 degrees to the left.

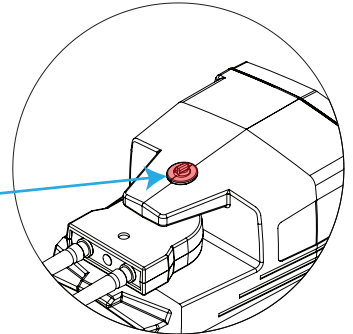
Indicator Arrow: It is a red indicator that moves according to the angle of inclination of the antennas and indicates the specified value on the semi-circular indicator

Alignment tool: It is a color graded indicator from top to bottom and the zero point in the middle of it, expresses the angle of inclination of the device from the horizon and the correct values are shown in green

Notice

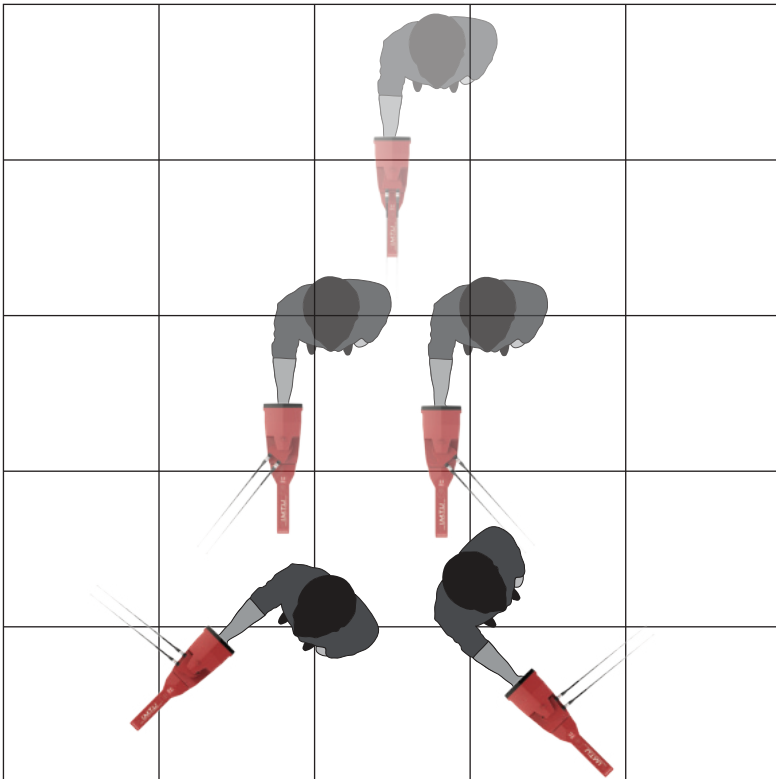
After assembling the device and before start to scan
Make sure that the lock of antennas unit is open so that they are movable during use.

Antenna Holder
Lock



During the scanning process, the antennas will move left and right according to the target being detected.

The user should change his direction according to the direction of the antennas. Every movement will appear on the screen to make it easier for the user. The user must only follow the movement of the indicator arrow to get the correct direction, keeping in mind the device in a correct position with respect to the horizon.



Manual Long Range Locator System [MANUAL LRL]

In the manual long range locator system, the search settings are adjusted manually by the user according to his preferences before the start of the search process, and many options can be customized.



Select the system

To start using, select this system from the main menu and press the OK key

After choosing, multiple screens will appear to set the settings for this system, which are:

Notice

Immediately after entering any search system from the main menu, A video will appear which notify the device's assembly steps. In case of any mistake in the assembly or installing a wrong part that does not fit the selected system, a warning video will appear on the device's screen regarding the exact error



Target

It expresses the type of target to be searched for and can choose from predefined types. Below is the list of all device target types .

- Silver
- Platinum
- Iron
- Gold veins
- Gold treasure
- Gold ore
- Gemstone
- Diamond
- Copper
- Cavity
- Bronze

The target type is chosen by using the Left / Right arrow buttons and pressing OK

Distance

The user can specify the distance to search within during the search process.

This means that the user can search within a radius of this distance, and this distance starts from 250 to 3000 meters

The distance value can be changed using the Left / Right arrow buttons and pressing OK

Notice

The user can change the distance value by 250 meters by pressing the Up / Down arrow keys, and by 50 meters by pressing the Left / Right arrow keys



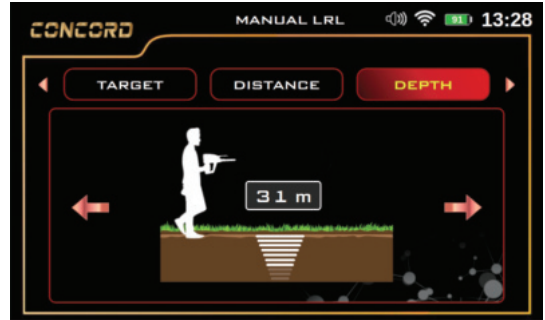
Depth

It is the value of the maximum depth that the device can search.

The depth value can be set by choosing a value from a set of predefined values within the range from 0 to 50 meters.

Notice

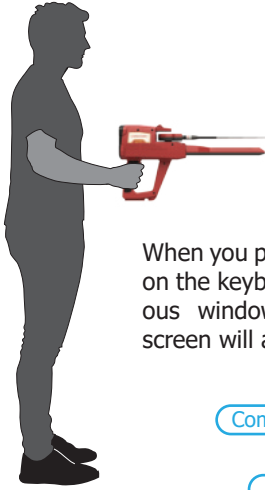
The user can change the depth value by 10 meters by pressing the Up / Down arrow keys, and by one meter by pressing the Left / Right arrow keys.



Scan

After completing the previous settings, select the scanning tab using the arrow keys (Right and Left), then click the "Start Scan" button, and then press the OK key.

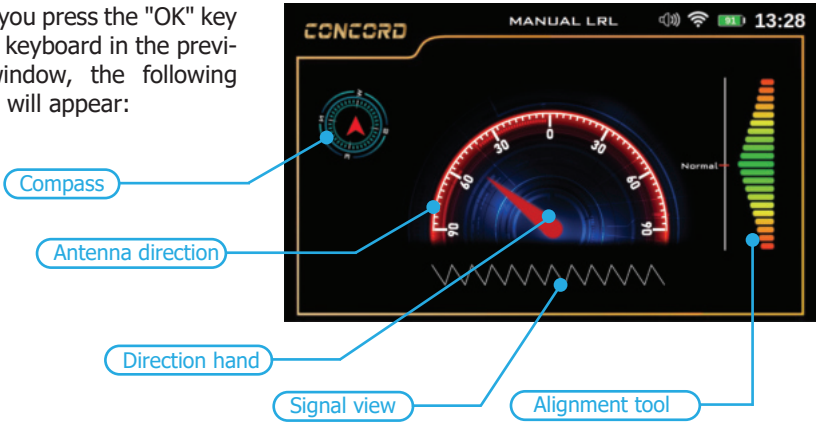




How to Use

After the setup is completed, hold the device, as follows, and make sure that you are holding the device fixed to your body without moving, then stand in the search area and press the OK button on the keyboard to start the scanning process.

When you press the "OK" key on the keyboard in the previous window, the following screen will appear:



Compass: indicates the geographical direction of the device (north, south, east or west ...)

Antennas Indicator: It is a semi-circular indicator, the zero in the middle expresses the values of the angle of inclination of the antennas according to the direction to the right or left within a range from 0 to 90 degrees to the right and 90 degrees to the left.

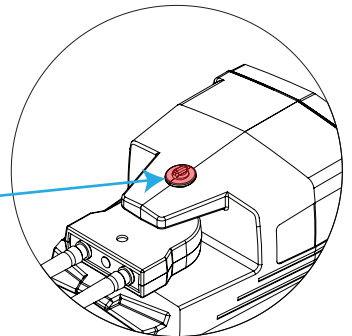
Indicator Arrow: It is a red indicator that moves according to the angle of inclination of the antennas and indicates the specified value on the semi-circular indicator

Alignment tool: It is a color graded indicator from top to bottom and the zero point in the middle of it , expresses the angle of inclination of the device from the horizon and the correct values are shown in green

Notice

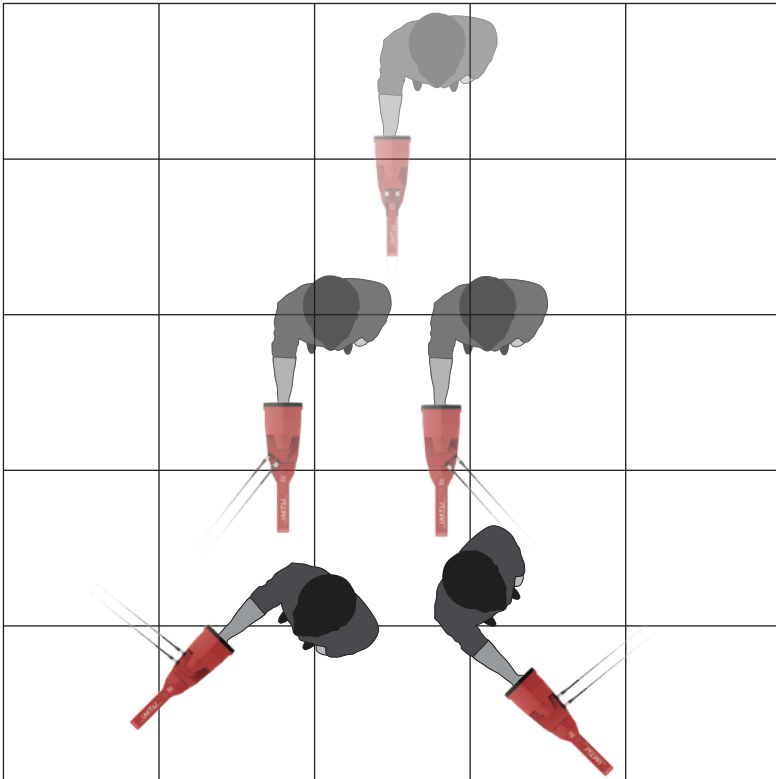
After assembling the device and before start to scan
Make sure that the lock of antennas unit is open so that they are movable during use.

Antenna Holder Lock



During the scanning process, the antennas will move left and right according to the target being detected.

The user should change his direction according to the direction of the antennas. Every movement will appear on the screen to make it easier for the user. The user must only follow the movement of the indicator arrow to get the correct direction, keeping in mind the device in a correct position with respect to the horizon.

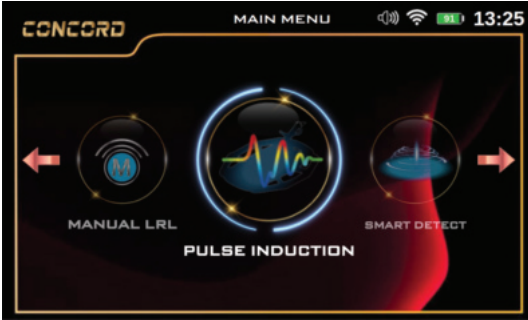


Pulse Induction System [PULSE INDUCTION]

This system incorporates new technology that bring great performance in ferrous and non-ferrous metal detection in different ground conditions, soil types and terrain.

Pulse Induction system use a powerful PS50 a Double D (DD) search coil to detect buried metallic object that offer great search depth and efficiency to detect hard to find targets.

The received signals visualized on device screen and audio tones provide additional feedback for user to know target type.



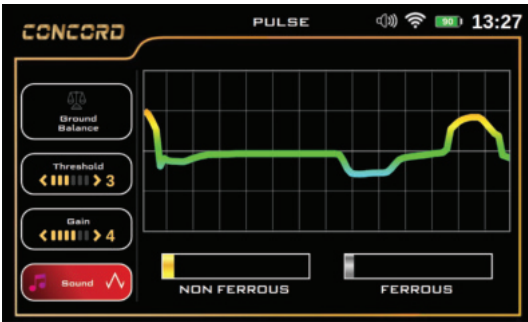
Select the system

To get started, select Pulse Induction System from the main menu and press OK

After the selection, a Pin Pointer system screen will appear, which includes the following elements:

Notice

Immediately after entering any search system from the main menu, A video will appear which notify the device's assembly steps. In case of any mistake in the assembly or installing a wrong part that does not fit the selected system, a warning video will appear on the device's screen regarding the exact error



Ground Balance

This option provides adjusting the ground balance according to the terrain in the search area, this is done by pressing the Start button once while keeping the PS50 search coil parallel to the ground until the process is completed, it is important to perform ground balance before starting the search

Threshold

When you are searching in a area with mineral soil, you may encounter noise from mines in the soil. This option can be changed from number 0 to 6 to avoid noise. Note that increase the number of this option only until the noise is no longer heard. when user select higher number it causes to not detect small parts of metals objects

Gain

This setting refers to the option that controls the size of the transmitted signals, in other words, the increase in the voltage issued from the search coil. The higher the value, the greater the search depth and sensitivity. The value can be adjusted within a range from 1 to 6.

It should be noted that the value should be reduced in highly mineralized grounds, and pressing the Start button, after changing to the new value.

The values changed through the right-left arrow keys

Sound

This option adjusts the tone of the sound settings, where user can choose between several levels of audio tones, the way the tone is displayed in ascending or fading ... etc.

The tone can be changed by pressing the OK button.

How to Use

The results screen in the pulse induction system displays, next to the buttons corresponding to the previous settings, a two-dimensional colored graph that changes according to the target that the PS50 search coil passes over, when the indicator lines are fixed in the middle, it will appear in green, and this means that there are no targets,

When the indicator lines go up, the color changes to red, and this indicates the presence of precious targets or non-ferrous such as gold,

But when the indicator lines drop to the bottom, they will appear in blue, and this indicates the presence of non-precious or ferrous targets.

The level of the lines rising or falling, is a measure of the strength of the signal received from the search coil.

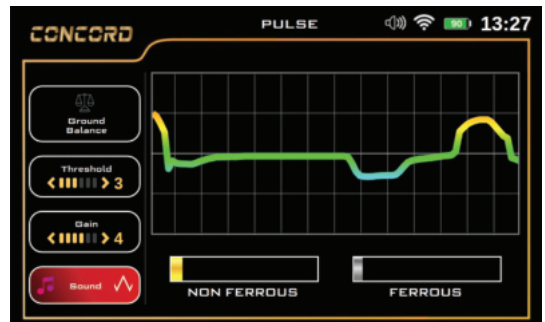
The lower part of the graph displays two indicators corresponding to the type of detected targets (the first in yellow for non-ferrous targets, and the second in gray for ferrous targets), the length of which changes according to the strength of the received signals.



If there is a ferrous target, the indicator of the type of ferrous changes according to the amount of ferrous available, the volume of the target and its proximity to the coil surface.



If there is a non-ferrous target, the indicator of the type of non-ferrous changes according to the amount of non-ferrous available, the volume of the target and its proximity to the coil surface.



After the setup is complete, make sure the device is fully and correctly assembled.

Hold the device in the following way, stand on the scanning area Start walking and move the device in different directions with the search coil parallel to the ground.

Changes are displayed on the device screen if there is any potential target. The device indicates the presence of a potential target by issuing an audio tone

Smart Detect System [SMART DETECT]

Smart detect system is a perfect choice for prospectors to find natural gold nuggets, small relics, jewelry, coins and other metal types at small depths about 3 meters or less.

Developed with enhanced technology in terms of features, metal discrimination and two search coils (PS36, PS28) to offer best performance in all terrain and soil types.



Select the system

To get started, select Smart Detect System from the main menu and press OK

After the selection, a screen will appear that includes two sub modes that correspond to each search coil:



MODE 1 / PS 28

MODE 2 / PS 36

The user can select any of these options and enter the search screen. note that the choosing any of systems requires the connection of the appropriate Coil to that system, the assembly method of which is taught in the assembly method section.

Notice

Immediately after entering any search system from the main menu, A video will appear which notify the device's assembly steps. In case of any mistake in the assembly or installing a wrong part that does not fit the selected system, a warning video will appear on the device's screen regarding the exact error

Mode 1 / PS 36

Use the PS36 [a search coil with 36 cm diameter] to detect targets, the device display a screen that includes indicators and buttons through which the detection settings and options can be set, as follows:

Calibration

By selecting this button and pressing the Start button, the user can perform a calibration of the coils before starting the search, for more accurate results.

Detection Mode

Choosing the detection mode is done by activating one of the three buttons corresponding to detection mode, which are:

1 – All Metals

It is a general detection mode, by activating it, the device can receive signals from ferrous and non-ferrous metal targets.

2 – Non Ferrous

By activating this detection mode, the device will filter the signals to receive signals of non-ferrous metal targets only such as gold, silver and copper, meaning that the device ignores the signals of targets made of ferrous materials

3 – Ferrous

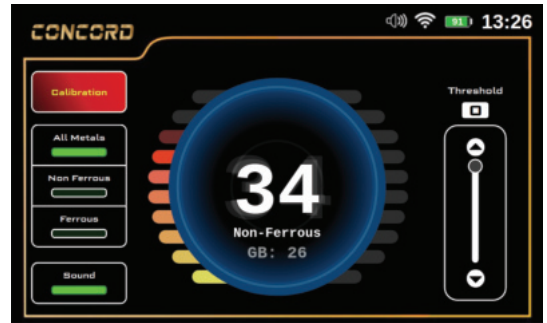
This detection mode is opposite to the previous mode, where the device receives signals from iron targets only, such as iron, and ignores the signals of other metals

Sound

The sound that comes out through the internal speaker on the device is enabled or not through this option, which is a useful in the case that the user wants to know the type of target through the digital indicator without hearing the sound like in noisy environments.

Target ID Indicator

It is a circular digital graphic indicator that displays in the center of the circle a number called the digital target identifier (Target ID) corresponding to a specific type of metal such as gold. On both sides of the circle, there are two symmetrical semi-circular indicators made up of bars that are gradually colored from bottom to top according to the strength of the target signal and according to the selected detection mode.



SMART DETECT

In case of the All Metal detection mode if the target is non-ferrous (precious) metal like gold, the left semicircular indicator is activated and is in gradual colors from yellow to red, however in case of a ferrous target, the right indicator is activated only, and the color gradient is from green to blue. In the case of Non Ferrous detection mode, the two indicators are activated in gradual colors from yellow to red (number of colored bars depends on signal strength). If there are non-precious or ferrous targets in this option, a number will appear for the value of the precious metal, but without the rise of the indicator lines or hearing sounds. In the case of the Ferrous mode, the two indicators are activated in gradual colors from green to blue according to the signal strength. In the event that there are precious targets in this option, a number will appear for the value of the non-precious metal, but without the rise of the indicator lines or hearing sounds.

Threshold

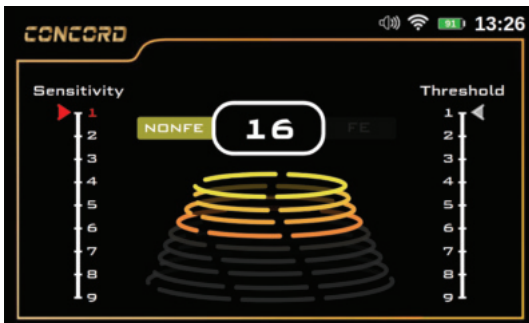
This option can control the audio threshold of the received signals, which can be set according to the user's preference, either to hear the faintest of faint signals coming from very small targets, or to ignore it to focus on hearing the signals of larger targets.

That is, the more we raise the value, the annoying signals coming from small targets are eliminated.

The user can set the value between 1 and 10.

The values are changed through the up – down arrow keys

Mode 2 / PS 28



Use the PS28 [a coil with 28 cm diameter] to detect targets, the device display a screen that includes two vertical indicators on sides and graphical indicator in middle.

The explanation these indicators as follows:

Sensitivity

The left vertical indicator determines the sensitivity level, and the user can set it to one of 9 levels. The higher the sensitivity value, the greater the sensitivity of the search coil to detect small targets with greater depth.

Sensitivity is set to the highest possible level, so that no annoying sounds are heard continuously, if the sounds continue, its value can be reduced gradually.

Threshold

It is a vertical indicator on the right side that determines the value of the audio threshold, and the user can set it to values from 1-9, and the higher the value, the more likely it is to hear the sounds of the signals of smaller targets, and the smaller values correspond to the sound of the larger targets.

Signal Indicator

It is graphical indicator in middle of screen, display a Target ID number and FE / NONFE indicators: FE for Ferrous targets

NONFE for non-ferrous (precious) targets

In addition to the graphical signal indicator that displays a set of circles with increasing diameters from top to bottom that lights up based on the signal strength of the target that the search coil passes over.

Ground calibration is done in this mode by pressing the "Start" button.

Customer Services

- All devices attached to the device are interchangeable by region and the customer center responsible for the service.
- You cannot apply the elements designed for this device with other devices.
- The user can obtain all auxiliary parts through GMI distributors after ensuring compatibility with the device. Sales and maintenance services are only available at GMI accredited centers. GMI is not responsible for the warranty or maintenance of any damage arising out of the use of accessories from other sources.
- You can get all information related to the use of the device and auxiliary parts by visiting the company's website.

The product or service guarantee will not be extended in the following cases:

1. If the product has been repaired, modified or changed, unless such repair, modification or change is authorized by MEGA DETECTION
2. If the product serial number is deformed or missing.

Specifications		
Package	Package Dimensions	68 x 51 x 28 cm
	Package Weight	17 Kg
	Material	ABS Plastic
CPU	Processor Type	ARM 64 Bit
	Processor Frequency	1.4 Ghz
Memory	Storage Memory	32 GB
	Memory Type	SD Card
Screen	Screen Type	High Resolution TFT LCD
	Screen Size	5 Inch
	Screen Resolution	1024 x 860
	Colors	16 million
	Wi-Fi Connection	2.4 Ghz
Sound	Output	Speaker - Headset
	Jack Type	3.5 mm
	Headset	Wired Headphones
	Internal Speaker	Yes
Power	Battery Type	Lithium-Ion
	Battery Capacity	21000 mAh
	Fast Charging	No
	Removable Battery	Yes
	Languages	German – English – French – Spanish – Russian – Italian – Arabic – Hebrew – Persian – Turkish – Urdu - Chinese
Temperatures	Operation temperature	0°C – 40°C
	Storage temperature	–20°C – 60°C
	Humidity	5% – 75%



MEGA
DETECTION
METAL DETECTION TECHNOLOGY

GMI MEGA
Geophysical Measuring Instruments

E-Mail : info@Megalocators.com
sales@Megalocators.com

Web : www.Megalocators.com

- You can buy this product from our distributors in all around the world
- You can visit our website to find the nearest distributor :
www.Megalocators.com/where-to-buy
- For product validation you can check the product serial number by the link below :
www.Megalocators.com/product-validation

CONCORD



Buy CONCORD

The Warranty on the Concord can be used to verify that your detector is genuine. Only Concord detectors deliver the real results!

Verify your Concord detector online at Megalocators.com

Product information correct at time of printing. Megadetection reserves the right to introduce changes at any time.

SHOP DETECTORS

TEL : +1 206-401-9788

WEB : <https://shopdetectors.com/>

EMAIL : contact@shopdetectors.com



5

SEARCH SYSTEMS



The Most Powerful Gold Treasures Technologies



Advanced Technology



High Performance and Unmatched Depth



Online Firmware Updates



Audio Sensitive Headphones



5 Search Systems



Full Power Battery



Car Charger



LED Flashlight



Artificial Intelligence



Gold & Metal Detector



Advanced Settings



Multi Layer LCD Display



Geographical Area Searching



Wide Range Searching Systems



360° Full Range

CE FC



Made in Germany